



# SPARE PARTS

**LX 85**

**Front End Loader**

[www.summittractors.com](http://www.summittractors.com)

Summit LX85

**Loader beam**

C2MSL\_1SM Loader beam

60046476 Cover kit

60097172 Level indicator kit, RH option

60035608 Level indicator kit, LH option

**Hydraulics**

C2MSL\_2S Hydraulics

**60022233-1 Cylinder**

**60030278-1 Cylinder**

**60086449 Main hose kit**

**60024254 Relief valve cpl.**

60033444 3rd service kit

**60032250 Selector valve**

60068681 3rd service kit

**Tool carriers**

60039966-1 SkidSteer

**Buckets**

11254986 C3 Bucket 48" SkidSteer

**Decals**

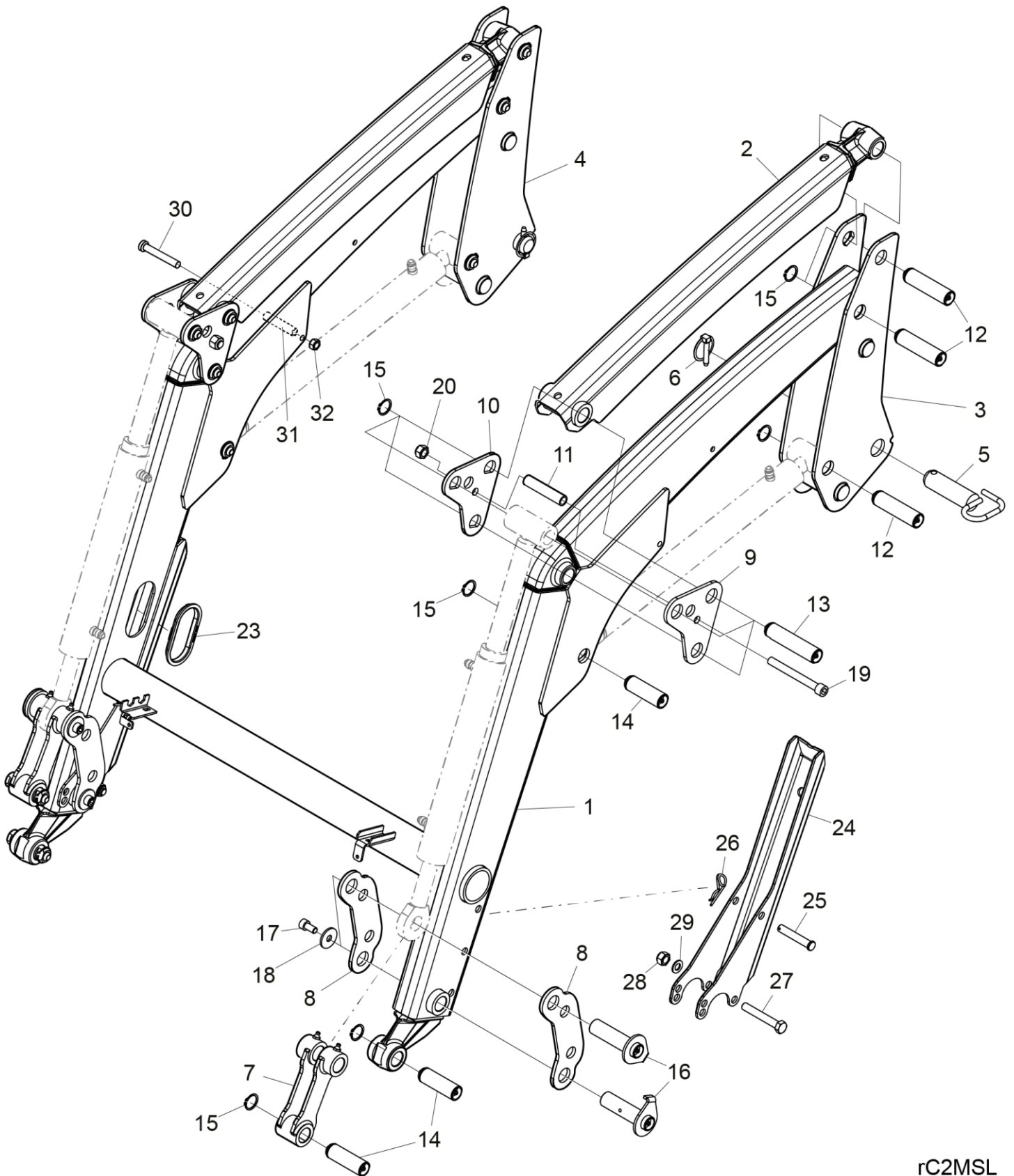
Warning decals

Warning decal, P65

Decals

Loader beam

C2MSL\_1SM

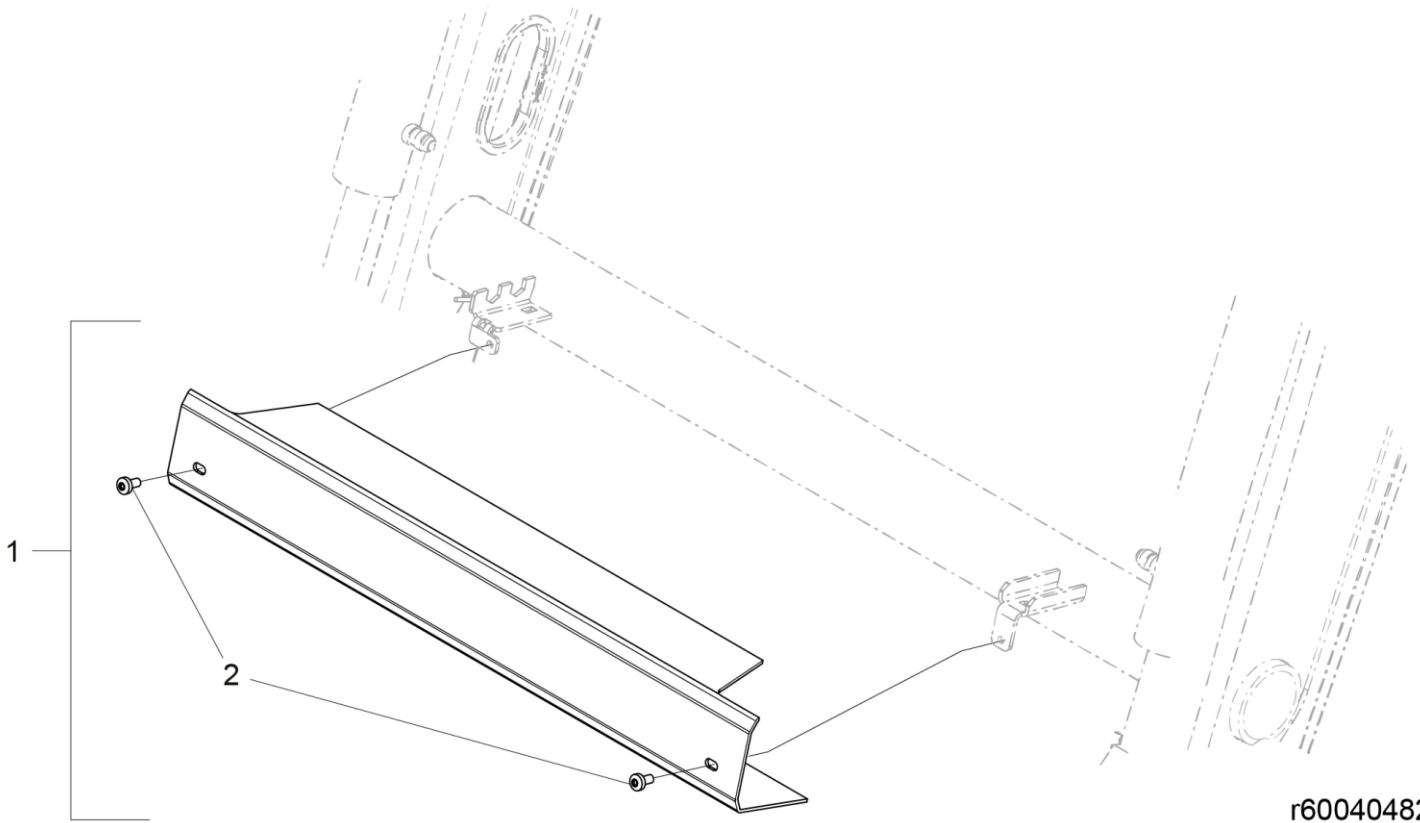


Pos	Part no	Name	Specification	Remark	Qty
1	60037921-71	Loader beam	Summit Green		1
2	60028481-71	Parallel rod	Summit Green		2
3	60022125-71	Bearing box LH	Summit Green		1
4	60022124-71	Bearing box RH	Summit Green		1
5	60022562	Locking Pin			2
6	5017002	Linch pin			2
7	60029893	Link			2
8	60029676-71	Link	Summit Green		4
9	60030031-71	Knee link	Summit Green		2
10	60030039-71	Knee link	Summit Green		2
11	60031539	Spacer			2
12	60018355	Pin			6
13	60027416	Pin			6
14	60021788	Pin			6
15	5050817	Clip			18
16	60029927	Pin	D=25 L=88,5		4
17	5050608	Screw	MC6S M10x20 Loc		4
18	5051181	Washer			4
19	5050829	Screw	MC6S M12x100		2
20	10412853	Nut	M6M M12 Loc Nut		2
23	60030593	Edge cover			2
24	60029198-71	Support leg	Summit Green		2
25	5050830	Locking Pin	HCB 12x73 FZB		2
26	5221186	Clip			2
27	5002121	Screw	M6S M12x80 (8,8)		2
28	5011911	Nut	M12		2
29	5013104	Washer	13.5 x 24 x 2		2
30	5004057	Screw	MC6S M8 x75 (8.8)		1
31	60024133	Spacer			1
32	5011553	Nut	M6M M8 Loc-king		1



Cover kit

60046476

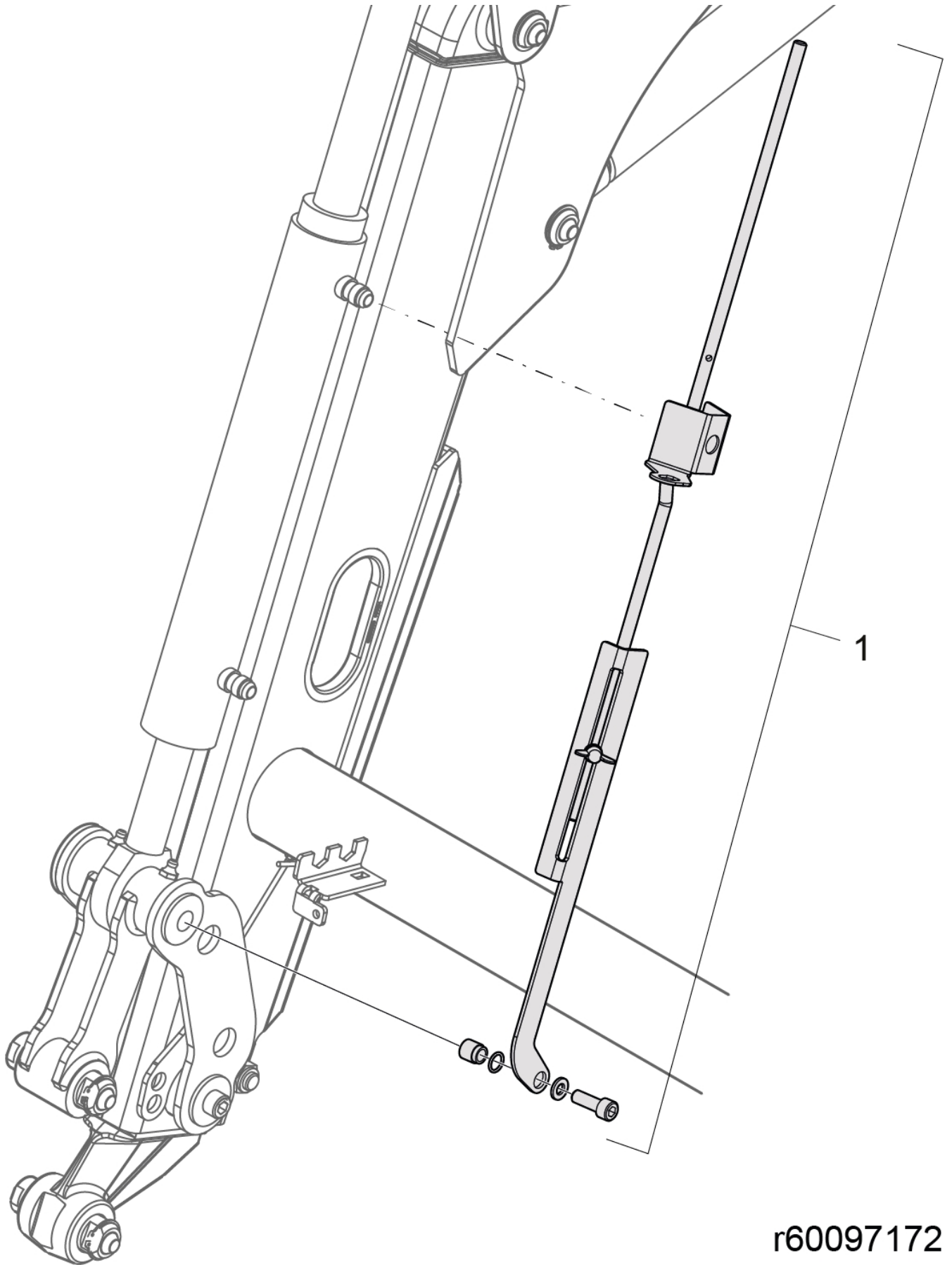


r60040482

<b>Pos</b>	<b>Part no</b>	<b>Name</b>	<b>Specification</b>	<b>Remark</b>	<b>Qty</b>
1	60046476	Cover kit			1
2	5050430	• Screw	MRT-GF M6x12 T30		2

Level indicator kit  
RH

60097172

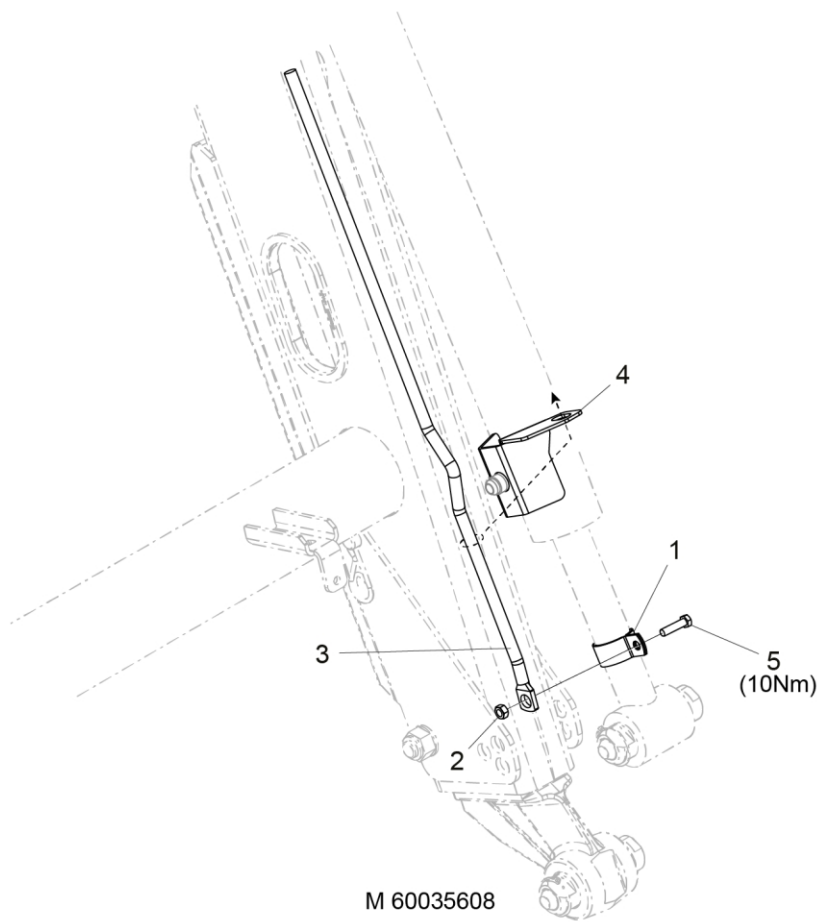


r60097172

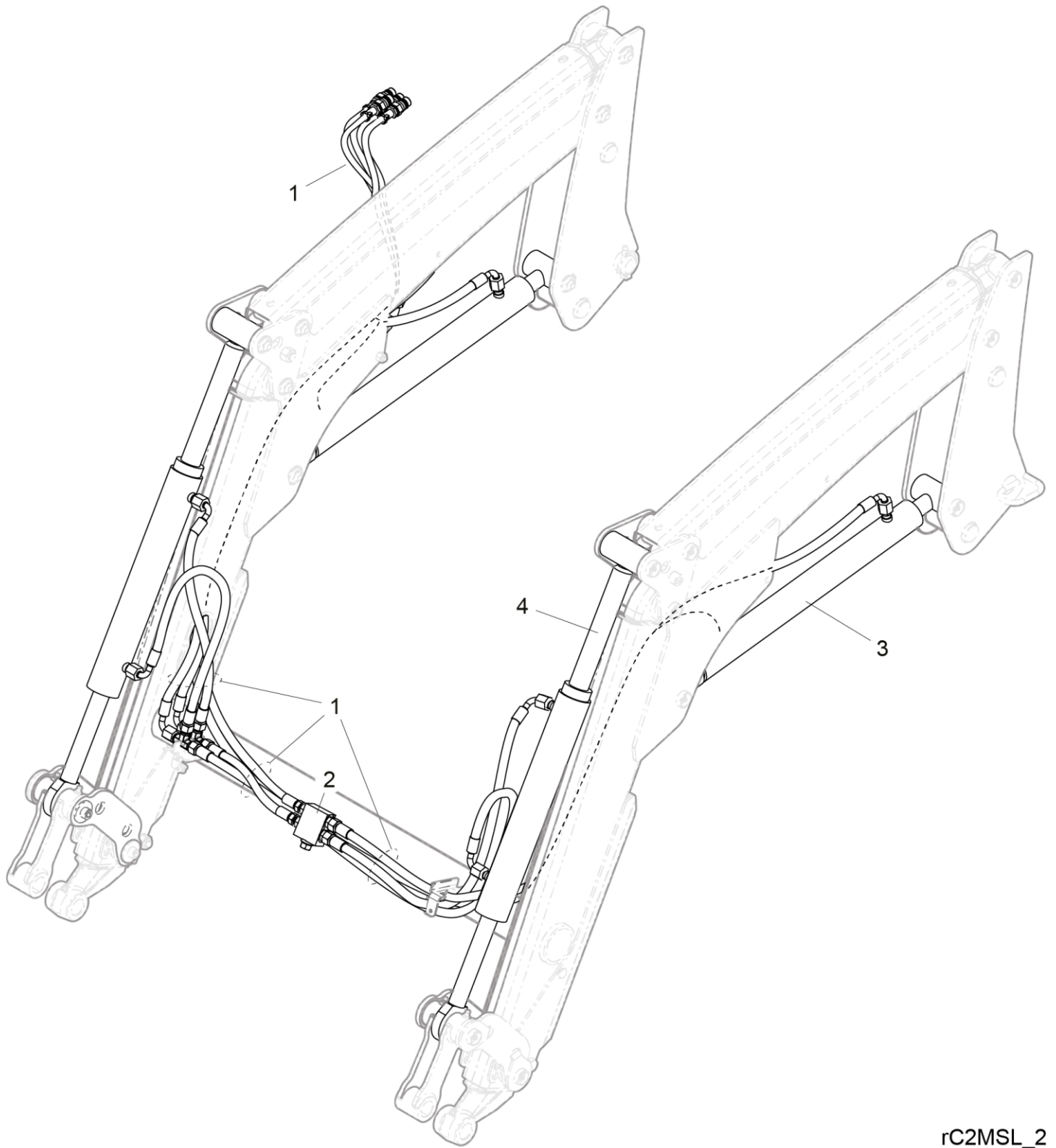
<b>Pos</b>	<b>Part no</b>	<b>Name</b>	<b>Specification</b>	<b>Remark</b>	<b>Qty</b>
1	60097172	Level indicator kit	RH		1

Level indicator kit  
LH

60035608



<b>Pos</b>	<b>Part no</b>	<b>Name</b>	<b>Specification</b>	<b>Remark</b>	<b>Qty</b>
	60035608	Level indicator kit	LH		1
1		Hose clamp			1
2		Nut			1
3		Indicator rod			1
4		Guide plate			1
5		Screw	M6S M6x16 (8.8)		1

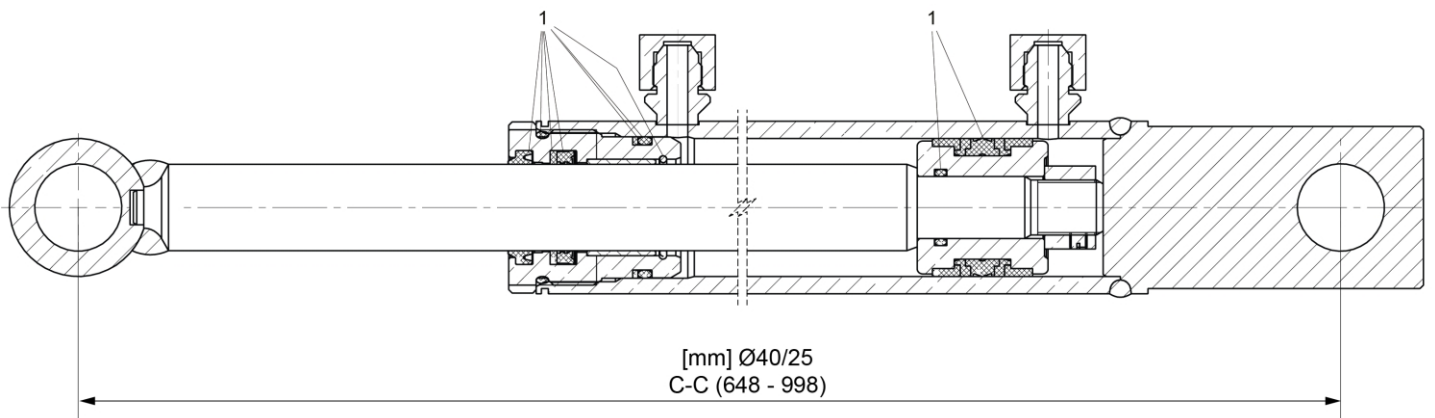


<b>Pos</b>	<b>Part no</b>	<b>Name</b>	<b>Specification</b>	<b>Remark</b>	<b>Qty</b>
1	60086449	Main hose kit			1
2	60024254	• Relief valve cpl.			1
3	60022233-1	Cylinder	Alo Black		2
4	60030278-1	Cylinder	Alo Black		2



Cylinder  
40/25

60022233-1

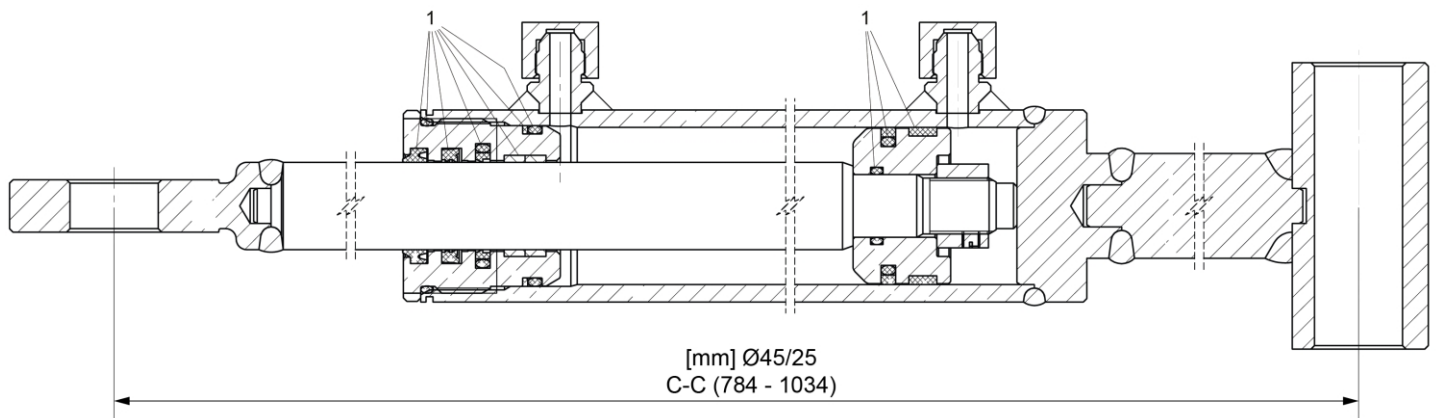


r60022233

<b>Pos</b>	<b>Part no</b>	<b>Name</b>	<b>Specification</b>	<b>Remark</b>	<b>Qty</b>
1	4501142	Seal kit			1

Cylinder  
45/25

60030278-1

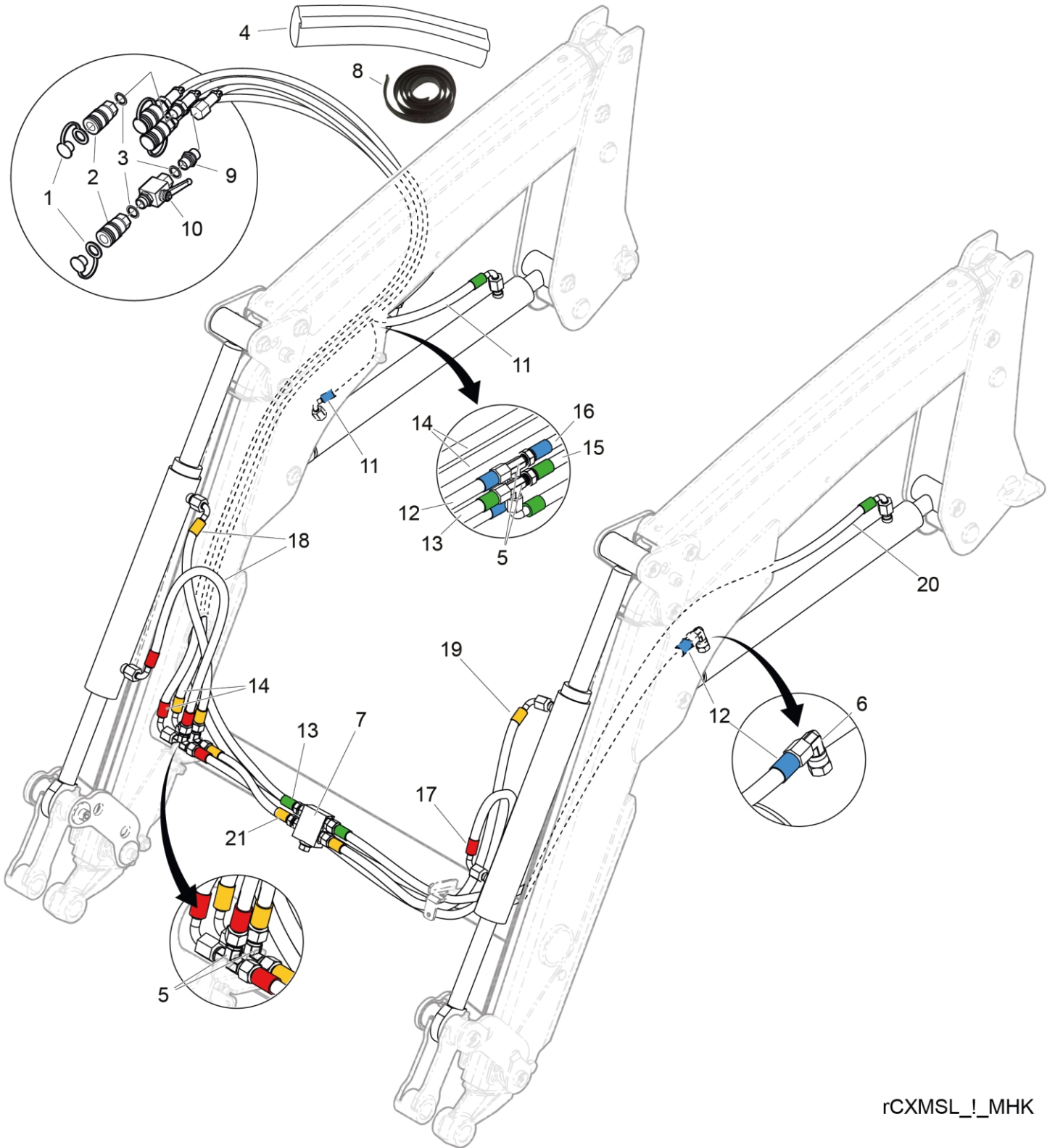


r60030278

<b>Pos</b>	<b>Part no</b>	<b>Name</b>	<b>Specification</b>	<b>Remark</b>	<b>Qty</b>
1	4501143	Seal kit			1

Main hose kit

60086449

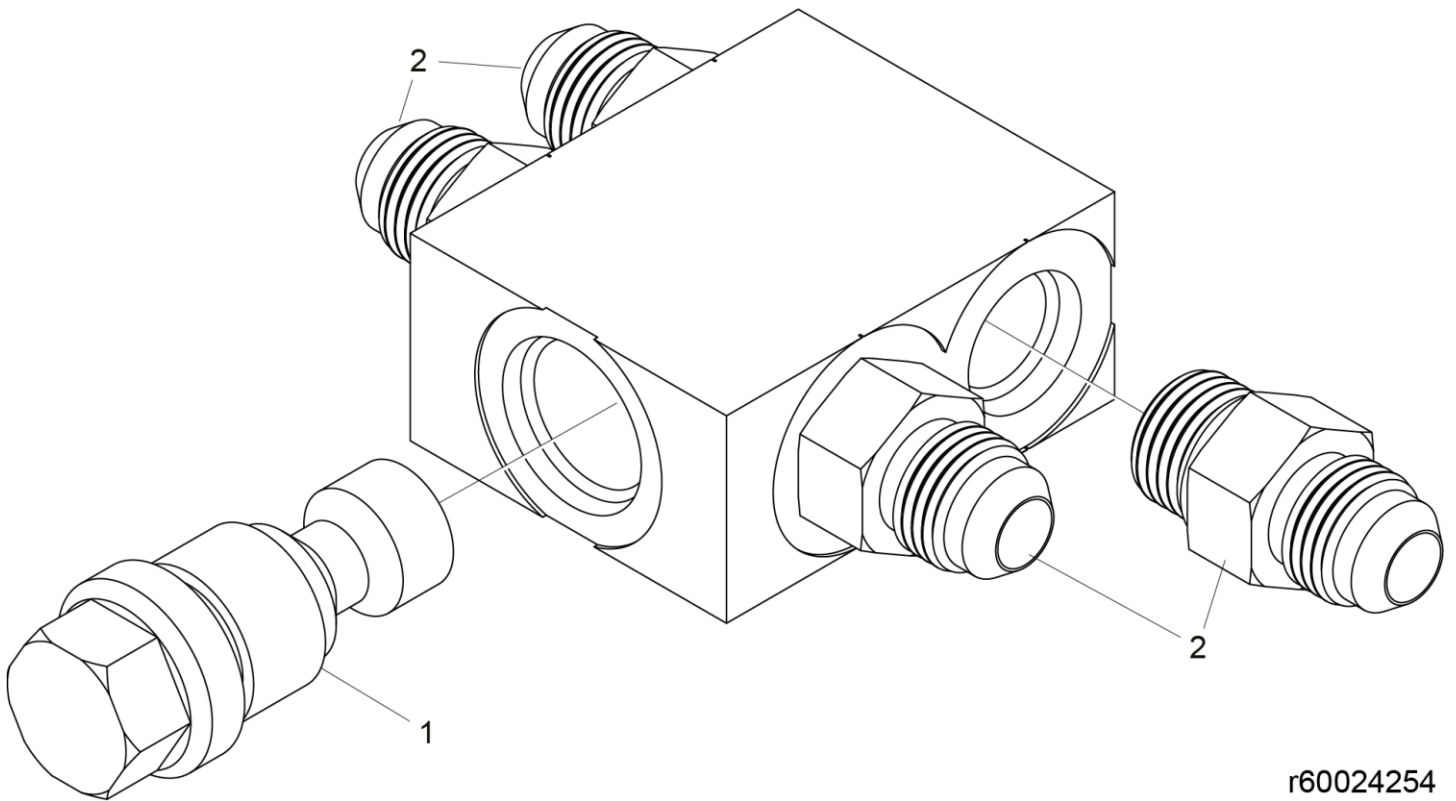


rCXMSL\_!\_MHK

Pos	Part no	Name	Specification	Remark	Qty
1	5034111	Dust Cover			4
2	5045010	Quick Coupling	3/8"		4
3	5013853	Dowty washer	Tredo 1/2"		5
4	60028491	Hose cover	L=800mm ( 60mm cut-out)		1
5	5028077	Adaptor			4
6	5028051	Adaptor	UNF 9/16 -18 JIC 37° female 90°		1
7	60024254	Relief valve cpl.			1
8	5051731	Hose cover	Ø23x450		4
9	1120012	Adaptor	G 1/2"		1
10	5033898	Shut-off valve	1/2"		1
11	60024874	Hose	1/4" L=200 9/16 90LMC - 9/16 90LMC		2
12	60024913	Hose	1/4" L=2145 9/16RLM - 9/16RLM		1
13	60025224	Hose	1/4" L=1205 9/16RLM - 9/16RLM		1
14	60086448	Hose	3/8" L=1810 9/16 90LMC - 1/2GRU		2
15	60086446	Hose	3/8" L=1000 1/2GRU - 9/16RLM		1
16	60086447	Hose	3/8" L=850 1/2GRLM - 9/16RLM		1
17	60024889	Hose	1/4" L=990 9/16 90LMC - 9/16RLM		1
18	60024888	Hose	1/4" L=560 9/16 90LMC - 9/16RLM		2
19	60032711	Hose	1/4" L=640 9/16 90LMC - 9/16RLM		1
20	60025222	Hose	1/4" L=1405 9/16 90LMC - 9/16RLM		1
21	60025162	Hose	1/4" L=230 9/16RLM - 9/16RLM		1

Relief valve cpl.

60024254



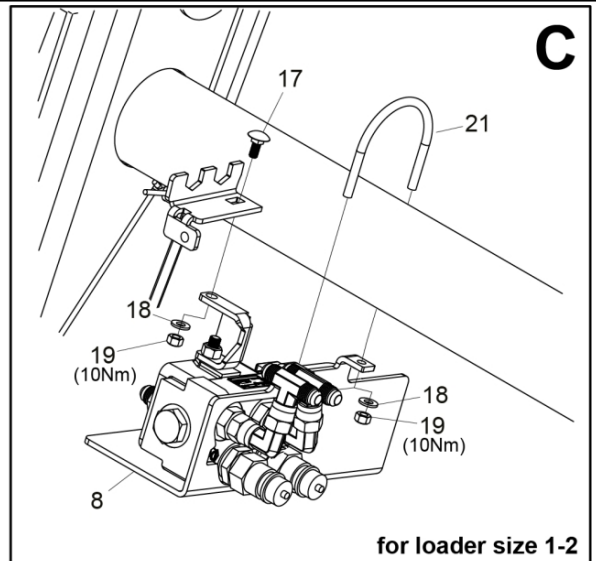
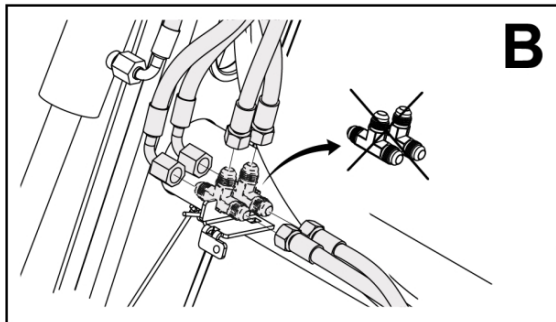
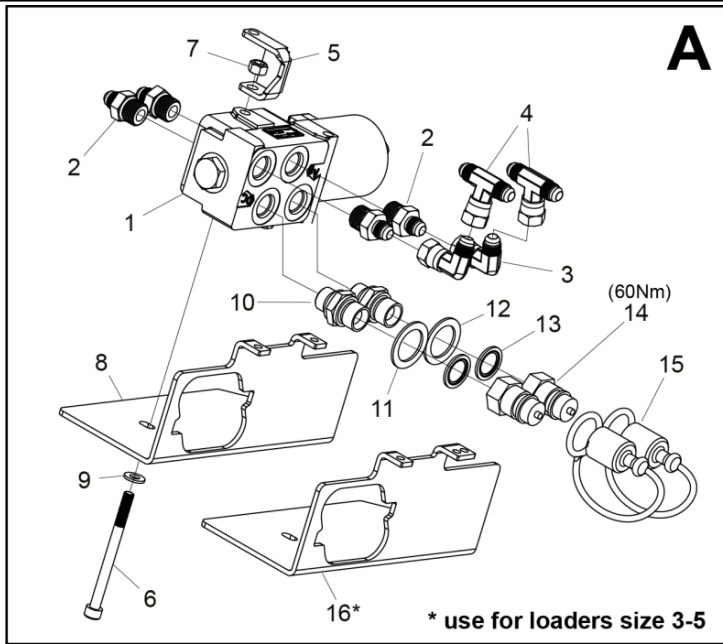
r60024254

<b>Pos</b>	<b>Part no</b>	<b>Name</b>	<b>Specification</b>	<b>Remark</b>	<b>Qty</b>
1	5050884	Valve	160 bar		1
2	5028118	Adapter short cpl.	9/16" UNF JIC		4

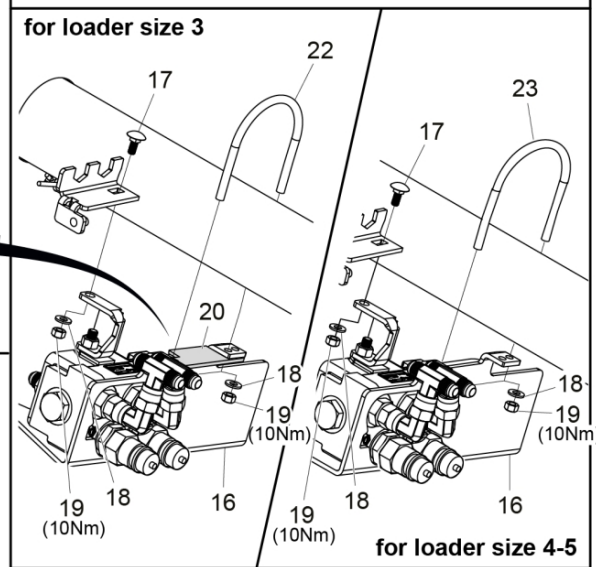


3rd service kit

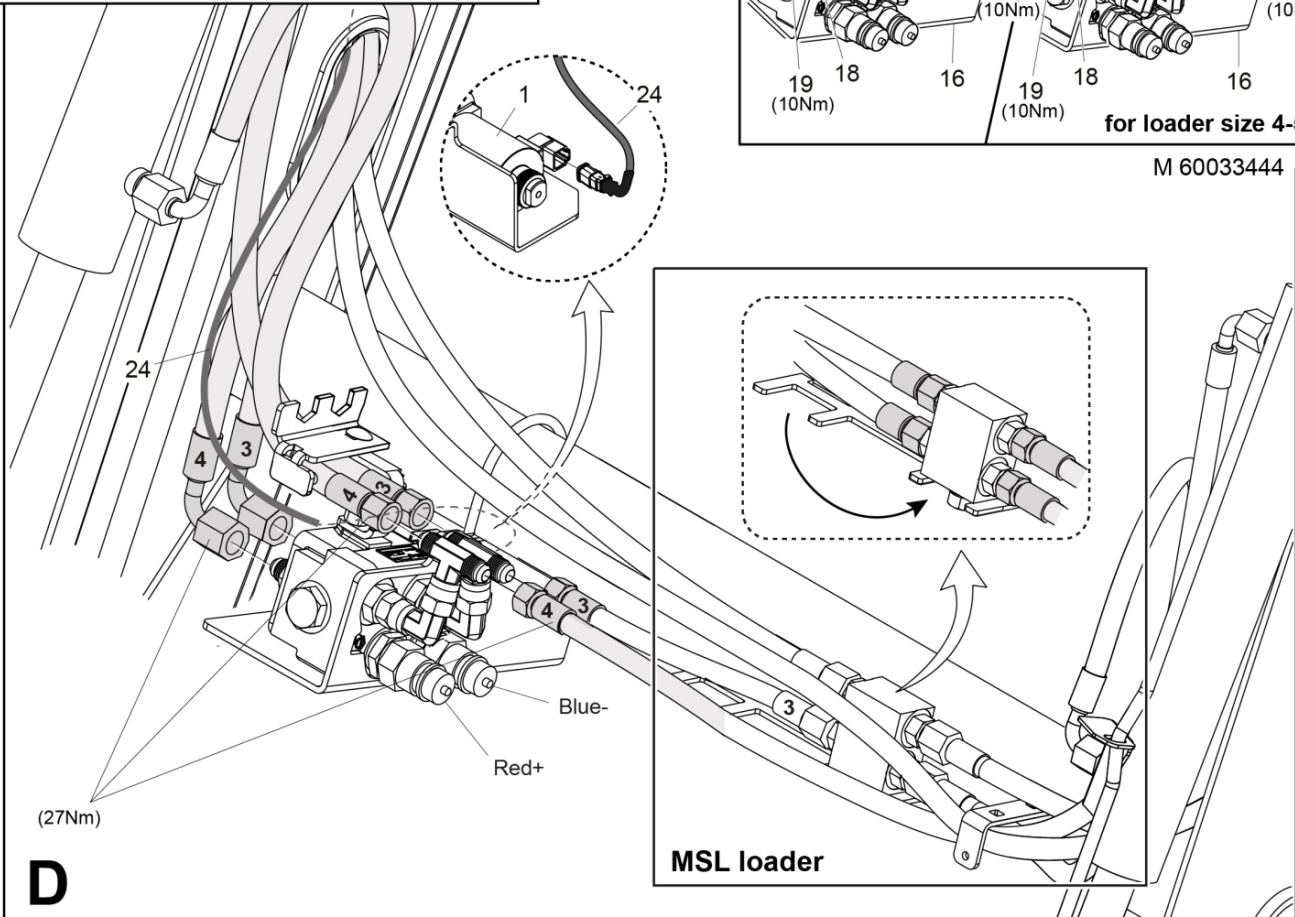
60033444



for loader size 1-2



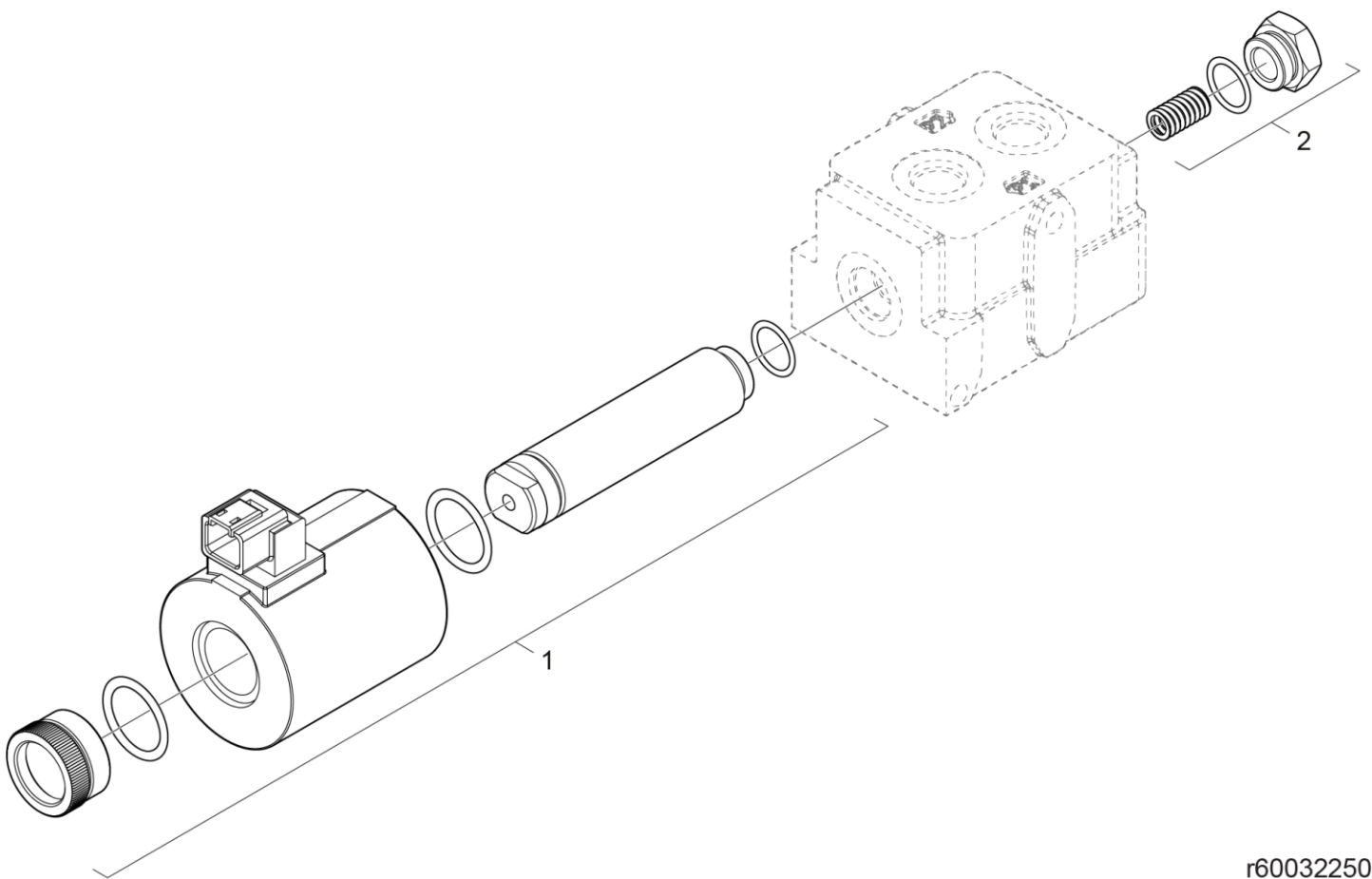
M 60033444



Pos	Part no	Name	Specification	Remark	Qty
	60033444	3rd service kit			1
1	60032250	Selector valve			1
2	5028119	Adaptor	JIC 9/16 UNF 3/4		4
3	5028051	Adaptor	UNF 9/16 -18 JIC 37° female 90°		2
4	5028105	Adaptor			2
5	60033123	Bracket			1
6	5051305	Screw	MC6S M8x100		1
7	5011565	Nut	M6M M8 Loc AM		1
8	60038999	Bracket			1
9	5013101	Washer	BRB 8,4 x 16		1
10	5028126	Adaptor			2
11	5022157	Washer, red			1
12	5022159	Washer, blue			1
13	5013853	Dowty washer	Tredo 1/2"		2
14	5044128	Quick Coupling	ISO-A Plug 1/2"		2
15	5044129	Dust Cover			2
16	60032377	Bracket			1
17	5051623	Screw	MVBF M6x16		1
18	5013111	Washer	BRB 6,4 x 14		3
19	5011552	Locking nut	M6		3
20	60038963	Plate			1
21	60027854	U-bolt			1
22	60028973	U-bolt			1
23	60028923	U-bolt			1
24	60040241	Harness			1

Selector valve

60032250

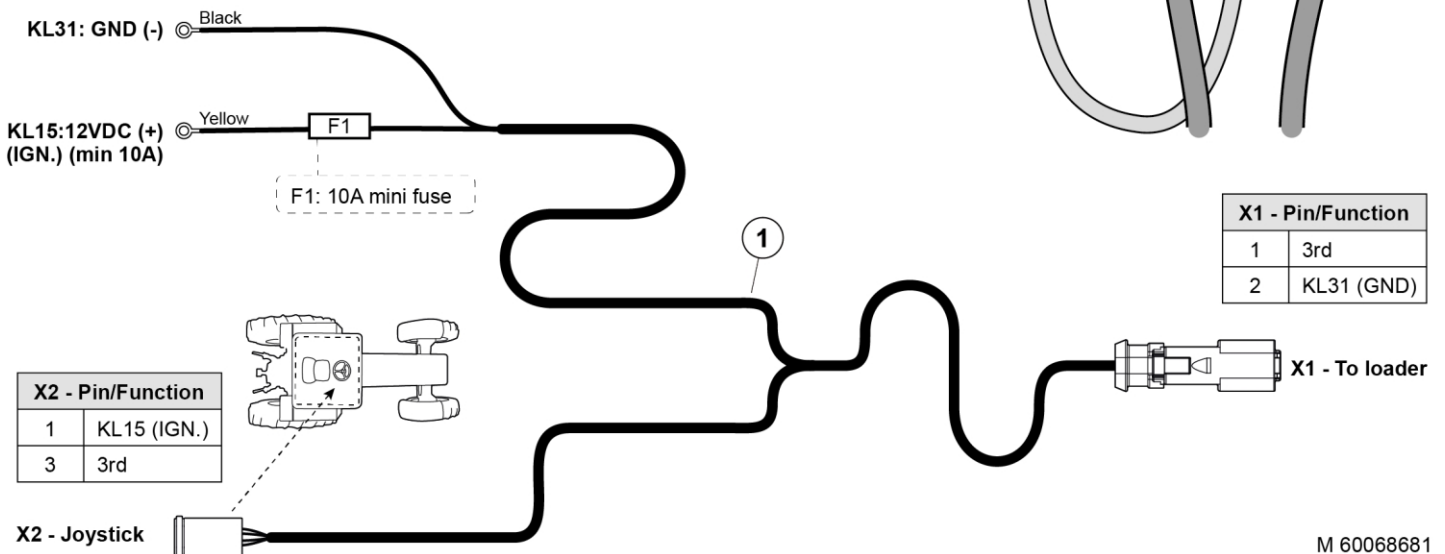
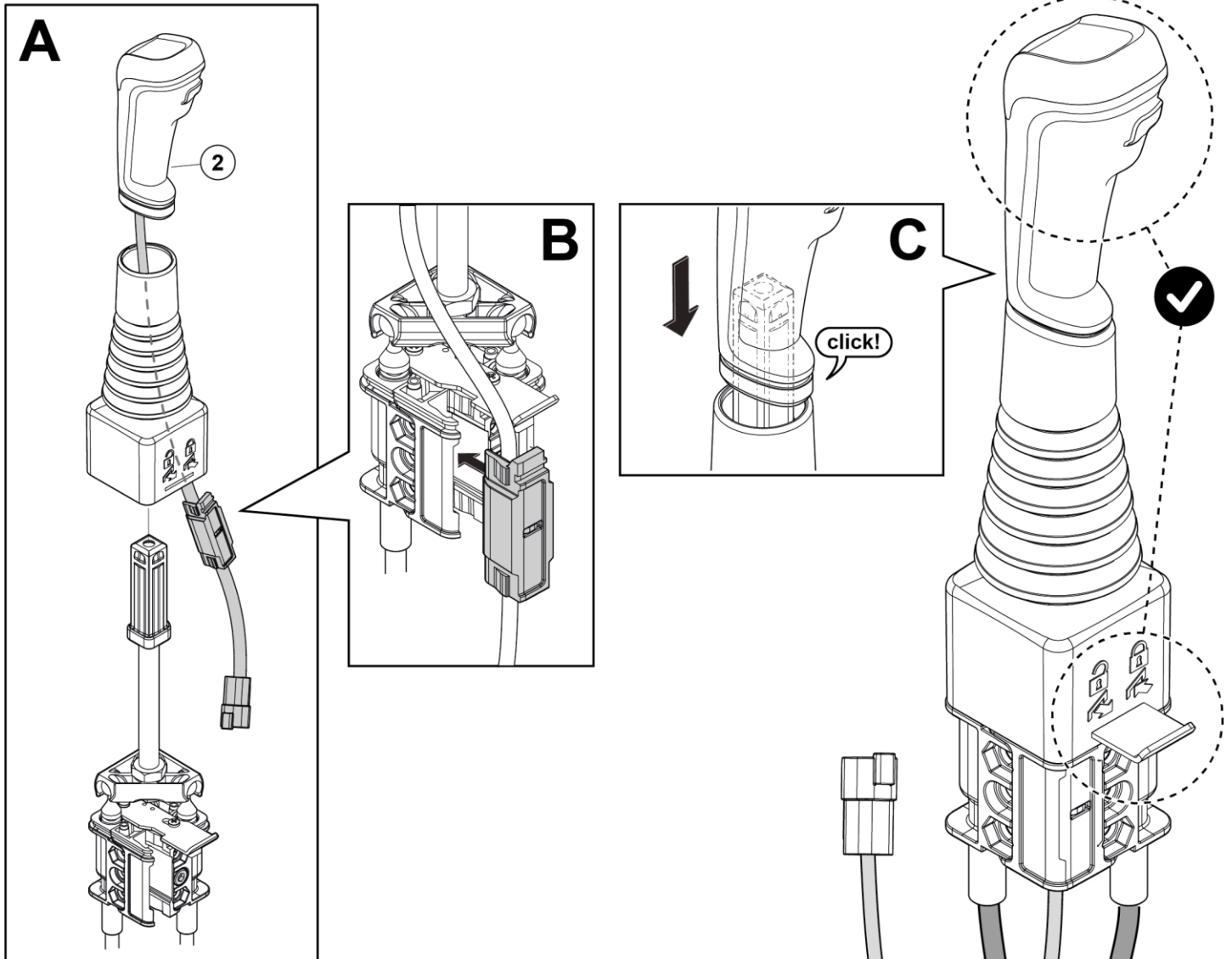


r60032250

<b>Pos</b>	<b>Part no</b>	<b>Name</b>	<b>Specification</b>	<b>Remark</b>	<b>Qty</b>
1	4501111	Solenoid kit			1
2	4500011	Plug kit			1

3rd service kit  
C-Series

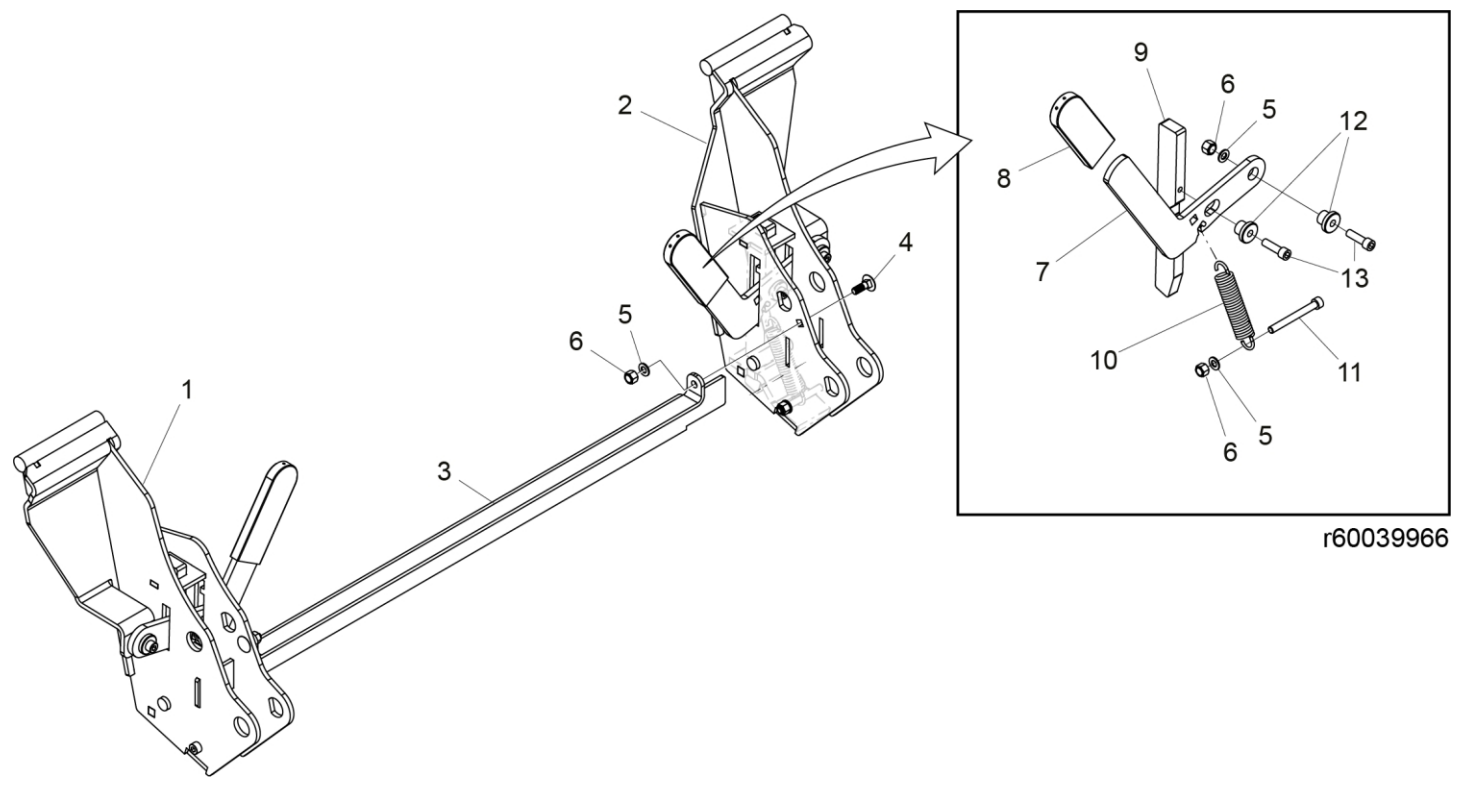
60068681



X2 - Pin/Function	
1	KL15 (IGN.)
3	3rd

X1 - Pin/Function	
1	3rd
2	KL31 (GND)

<b>Pos</b>	<b>Part no</b>	<b>Name</b>	<b>Specification</b>	<b>Remark</b>	<b>Qty</b>
	60068681	3rd service kit			1
1	60068682	Wiring harness			1
2	59030140	Handle	3rd		1
3	5033621	Cable tie			8



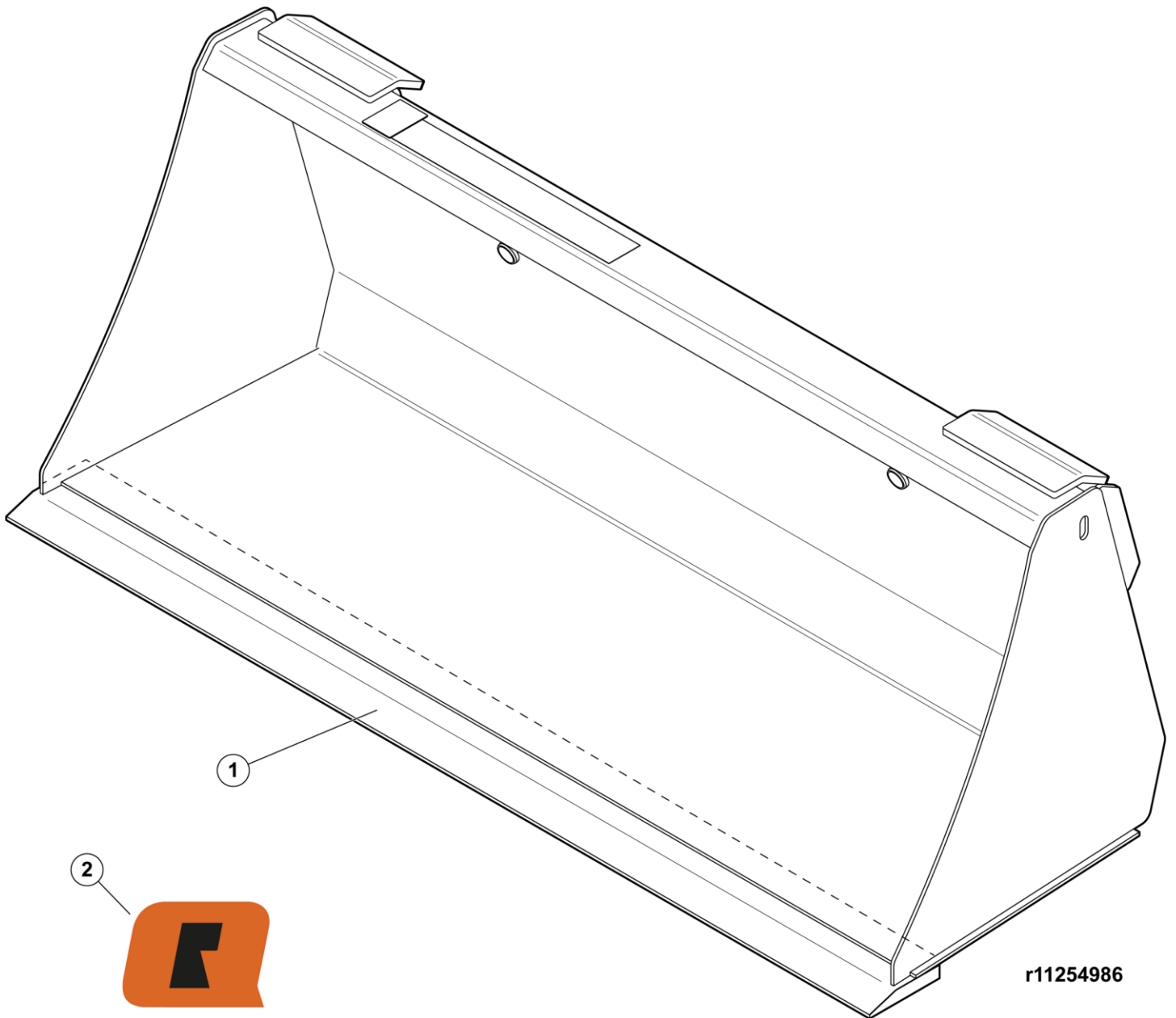
r60039966

Pos	Part no	Name	Specification	Remark	Qty
	60039966-1	SkidSteer	Alo Black		1
1	60039971-1	Bracket LH	Alo Black		1
2	60039972-1	Bracket RH	Alo Black		1
3	60036625-1	Stay	Alo Black		1
4	5051457	Screw	M8x25		2
5	5013101	Washer	BRB 8,4 x 16		6
6	5011553	Nut	M6M M8 Loc-king		6
7	60036728	Handle			2
8	5022144	Cover			2
9	60036716	Locking plate			2
10	60038083	Spring			2
11	5004057	Screw	MC6S M8 x75 (8.8)		2
12	60036736	Sleeve			4
13	5004942	Screw	MC6S M8 x 35 (8.8)		4



C3 Bucket 48" SkidSteer

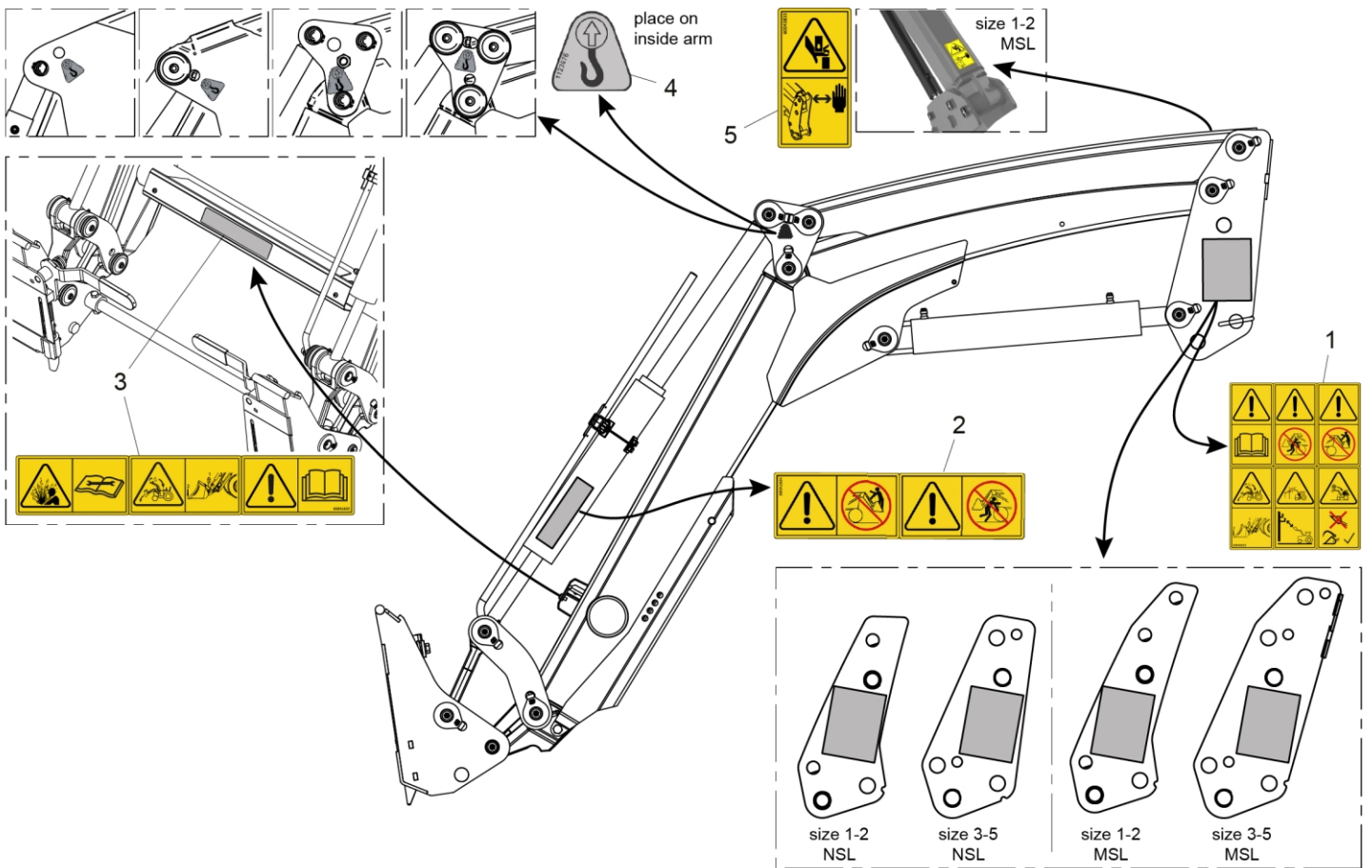
11254986



r11254986

<b>Pos</b>	<b>Part no</b>	<b>Name</b>	<b>Specification</b>	<b>Remark</b>	<b>Qty</b>
	11254986	C3 Bucket 48" SkidSteer			1
1	11262072	Cutting edge			1
2	60049053	Decal	"Q" small 80x57		2
	5022119	Plug			2

# Warning decals

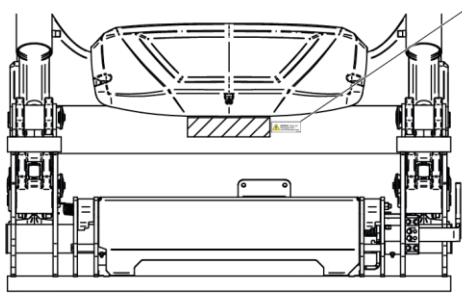


<b>Pos</b>	<b>Part no</b>	<b>Name</b>	<b>Specification</b>	<b>Remark</b>	<b>Qty</b>
1	60042633	Warning decal			1
2	60042634	Warning decal			2
3	60042635	Warning decal			1
4	1123676	Decal, lift			2
5	60043833	Warning decal			1

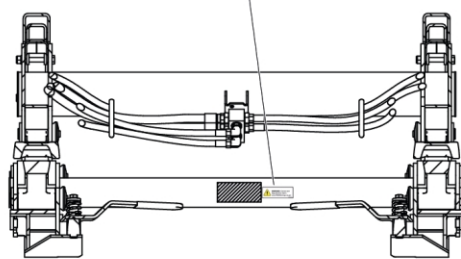
Warning decal, P65



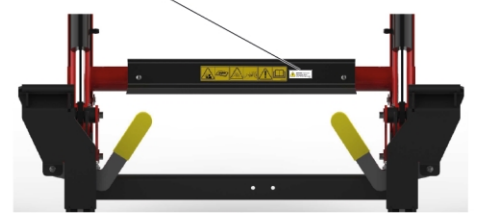
r60055865



Q-series



X-series



C-series

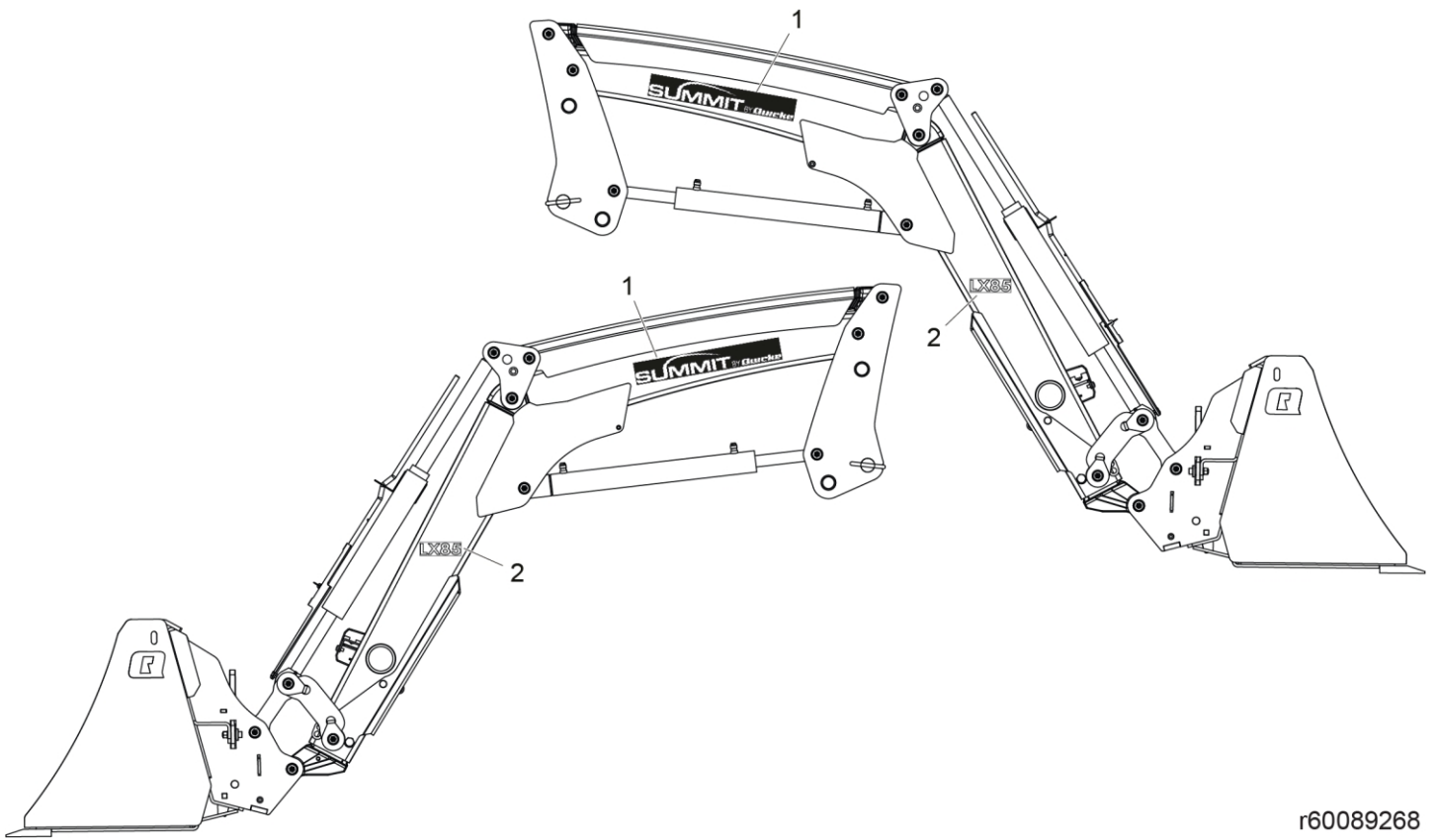
1

<b>Pos</b>	<b>Part no</b>	<b>Name</b>	<b>Specification</b>	<b>Remark</b>	<b>Qty</b>
1	60055865	Warning decal, P65			1

Decals

LX85

---



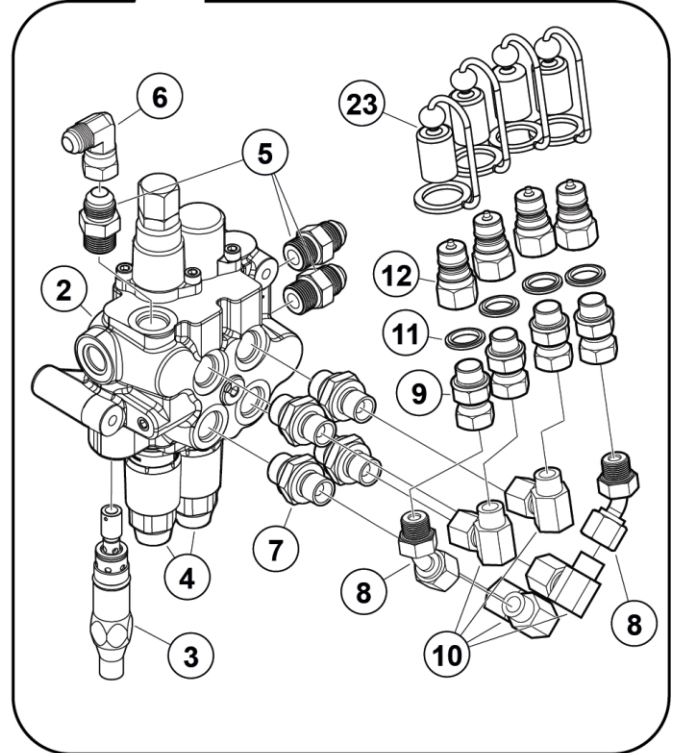
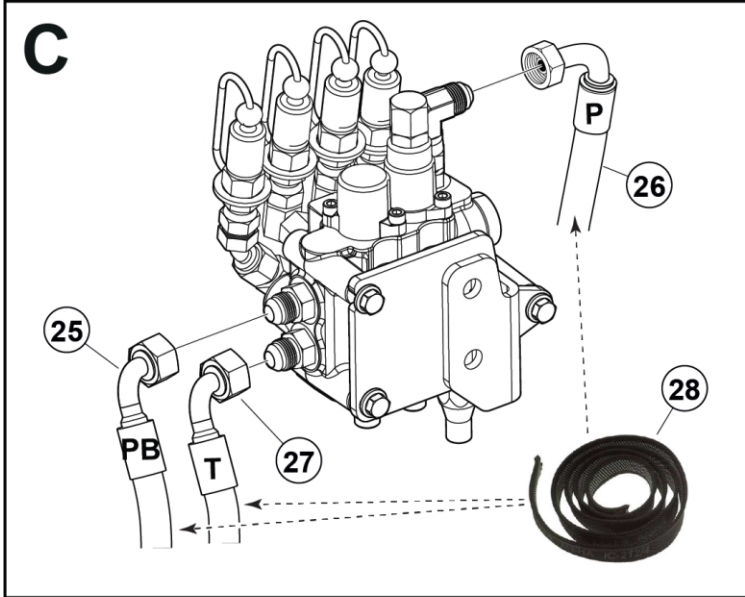
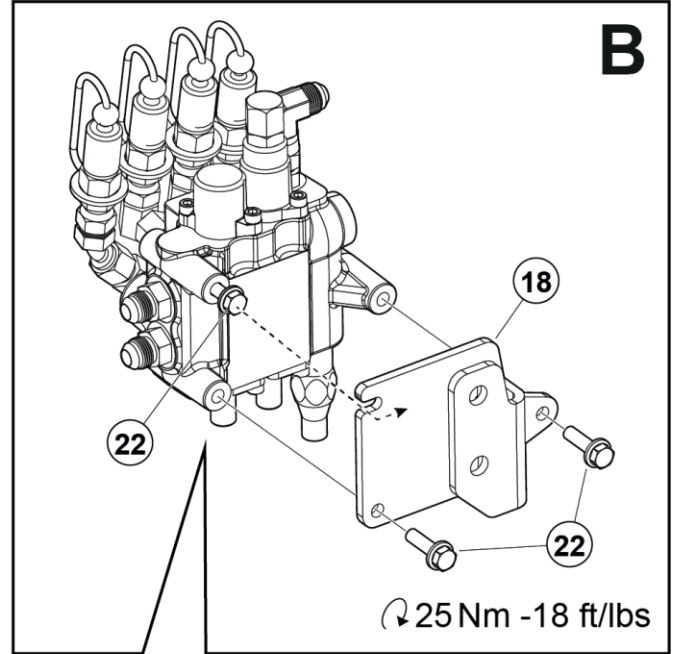
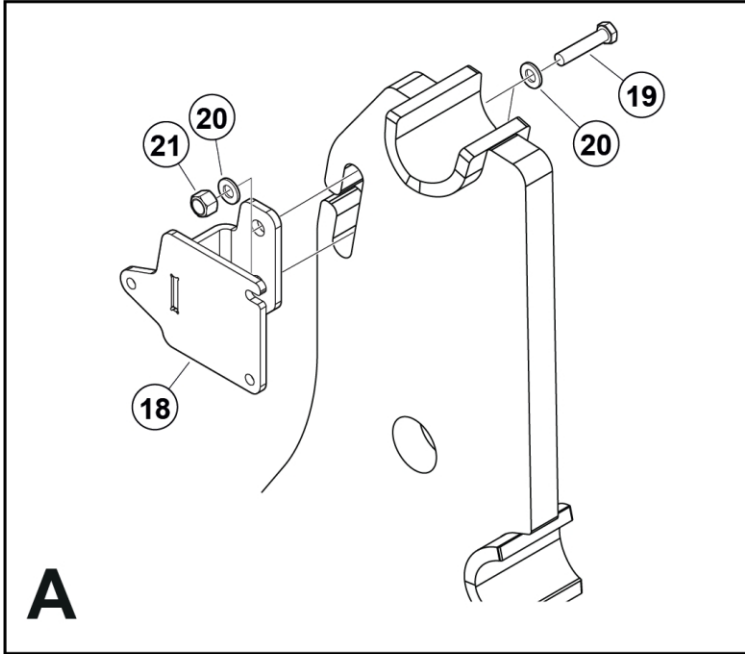
r60089268

<b>Pos</b>	<b>Part no</b>	<b>Name</b>	<b>Specification</b>	<b>Remark</b>	<b>Qty</b>
1	60089265	Decal, Brand	Summit		2
2	60089278	Decal, Model	LX85		2



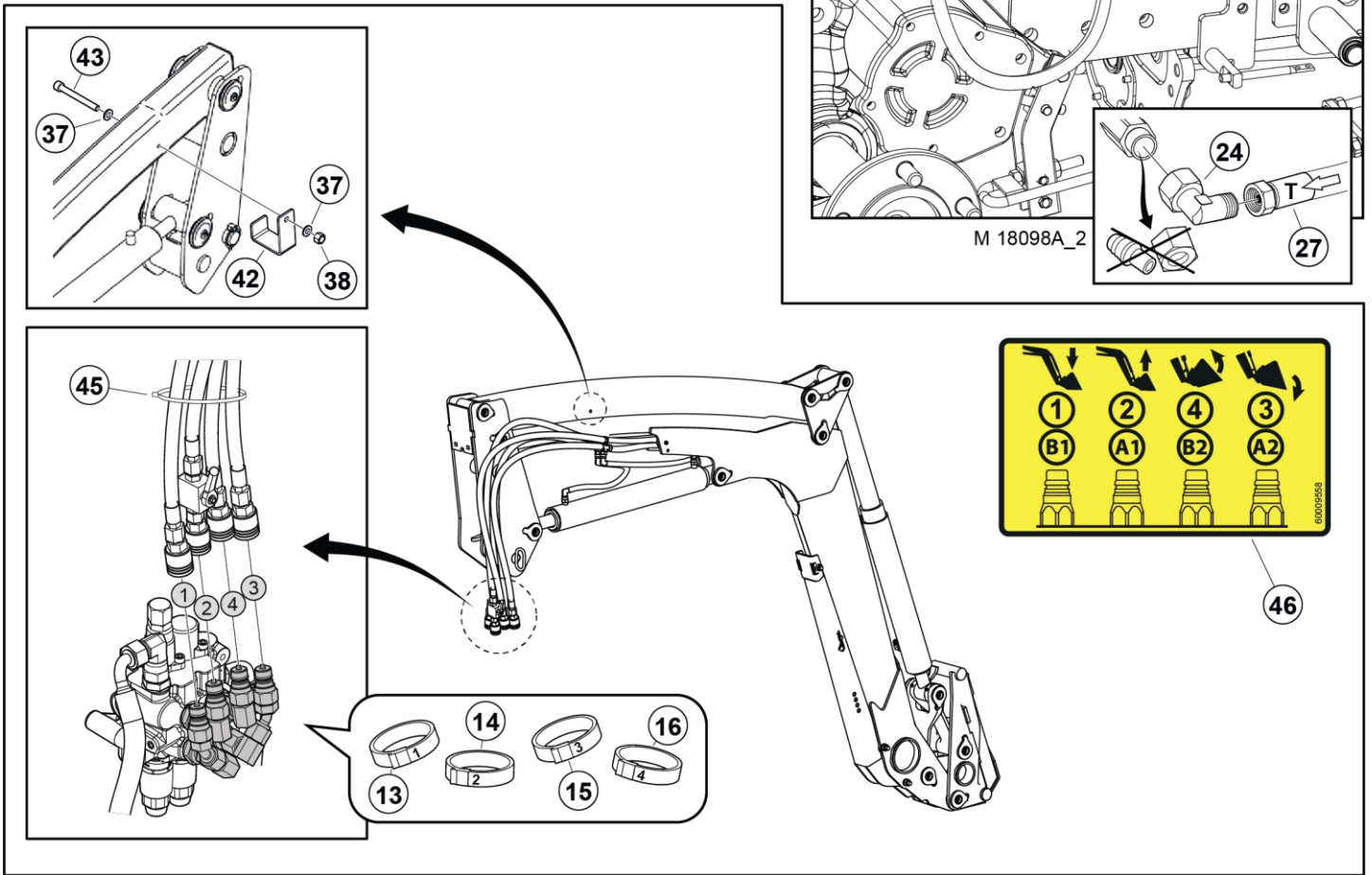
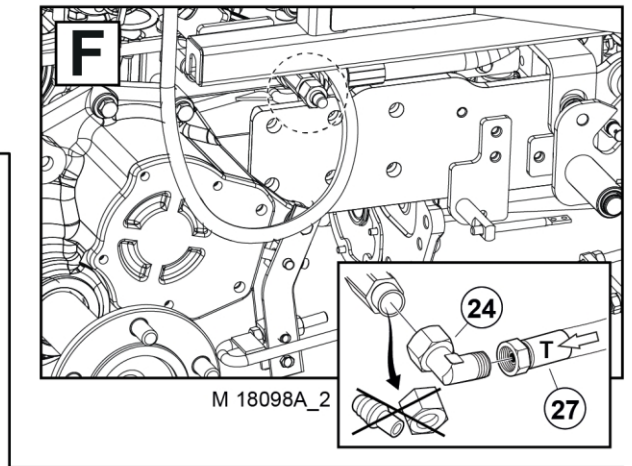
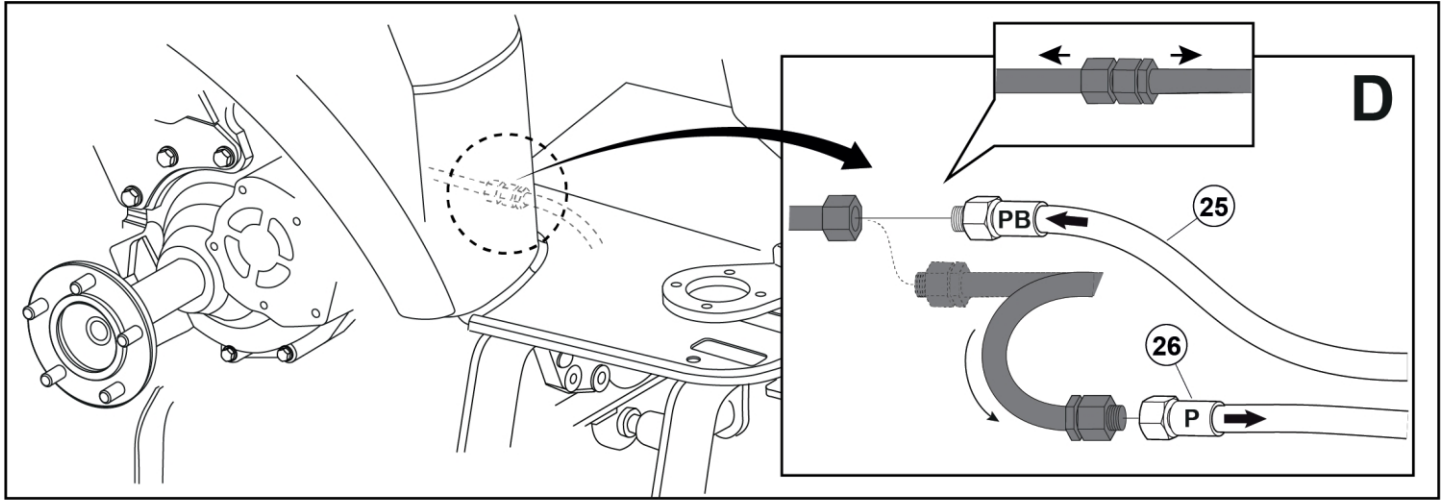
Hydraulic kit

18098A



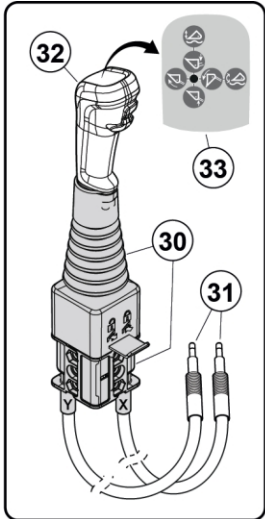
Hydraulic kit

18098A

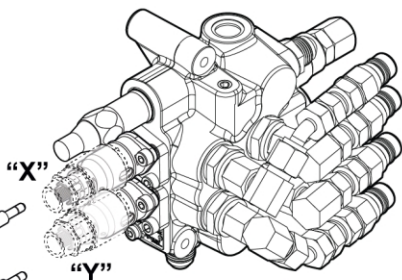
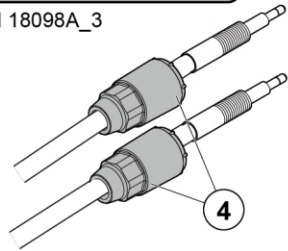


Hydraulic kit

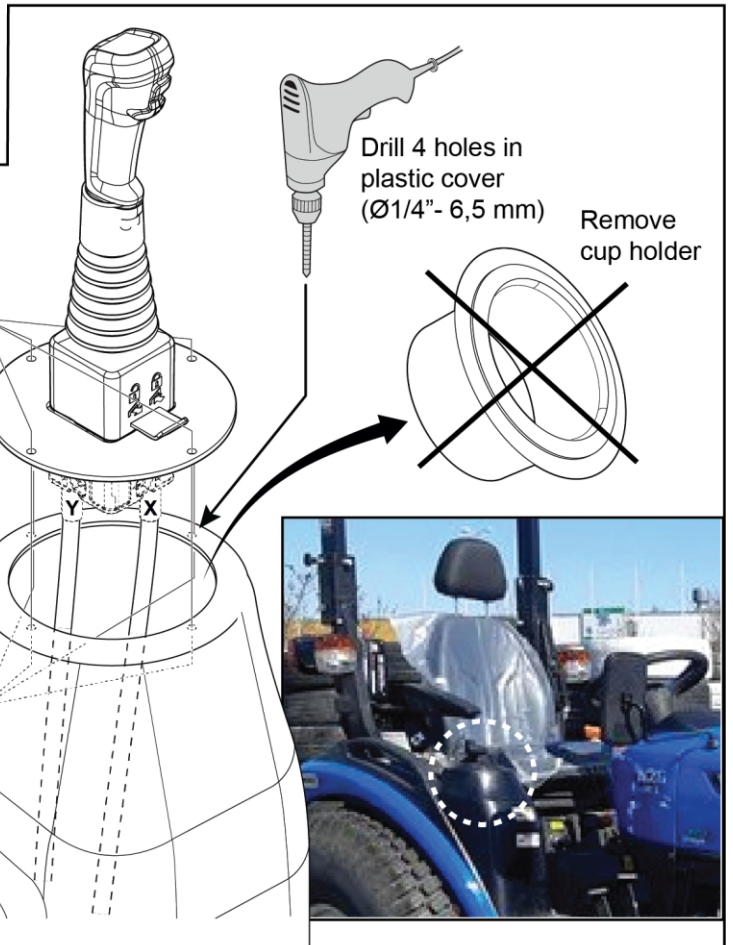
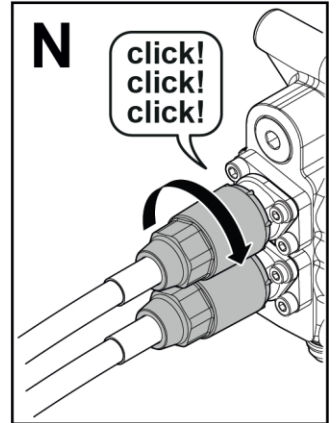
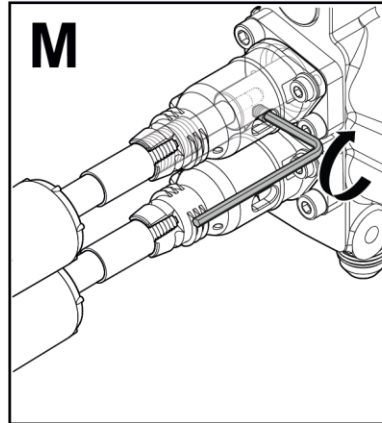
18098A



M 18098A\_3



L



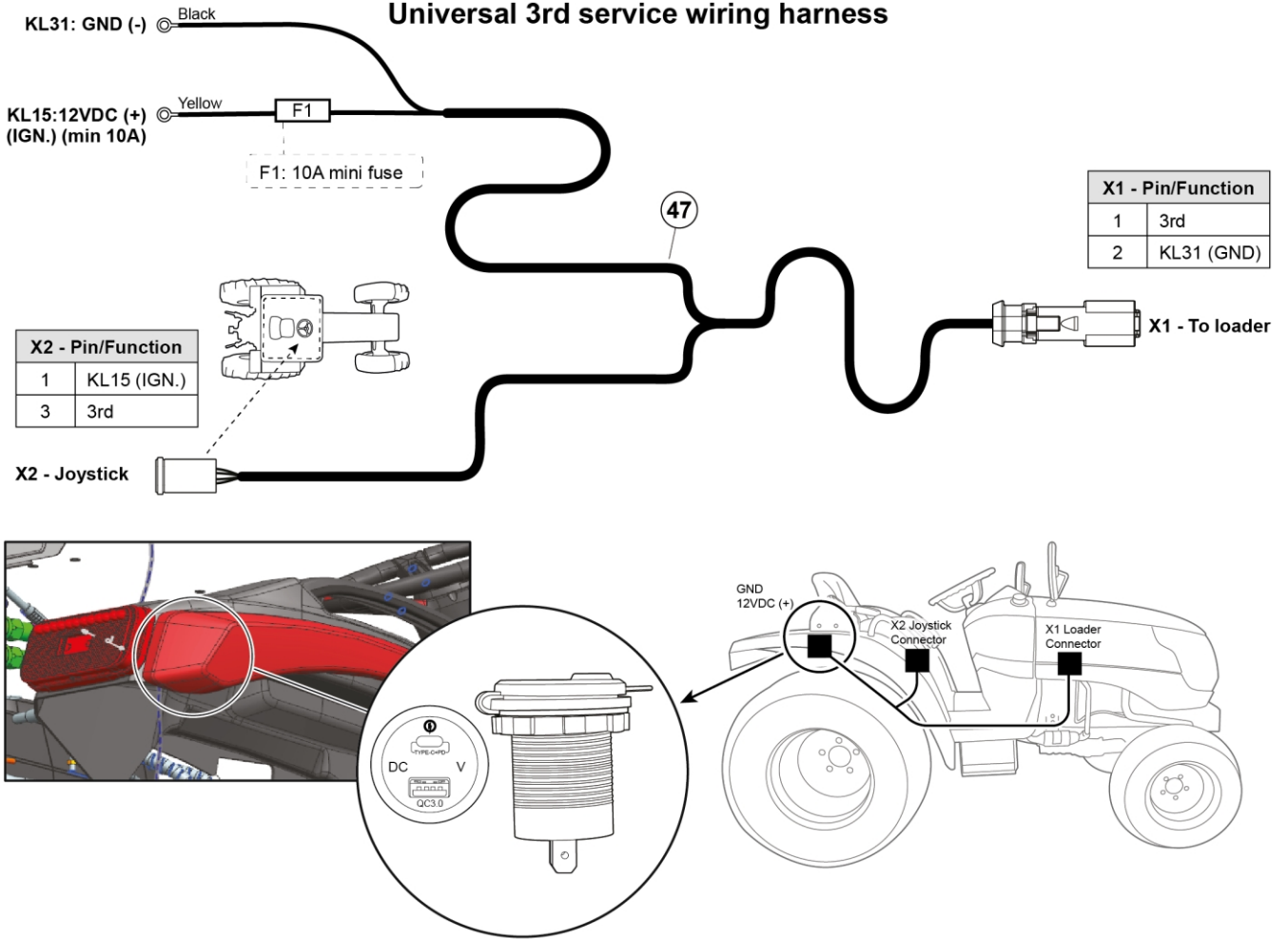
K



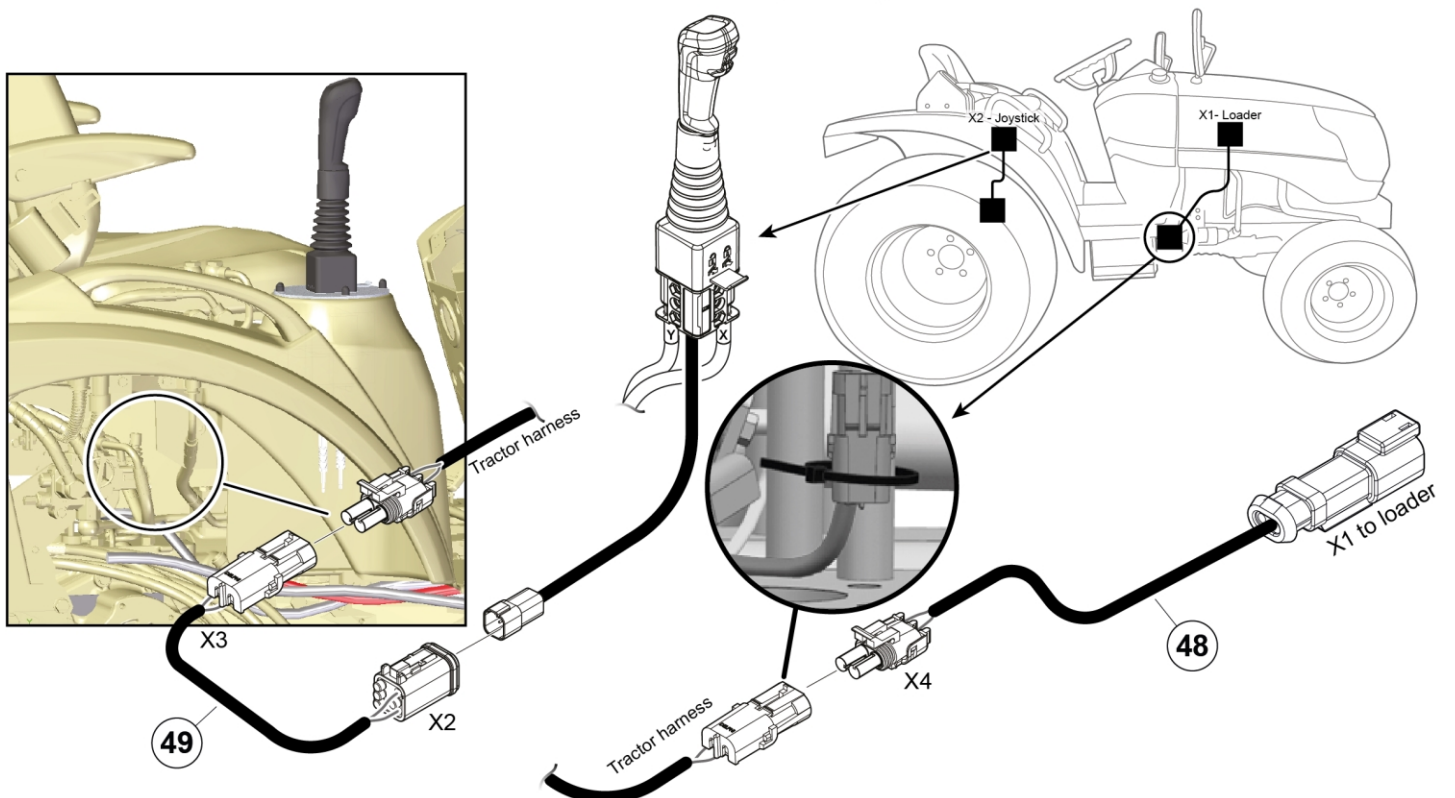
Hydraulic kit

18098A

Universal 3rd service wiring harness



Tractors with loader ready wiring harness

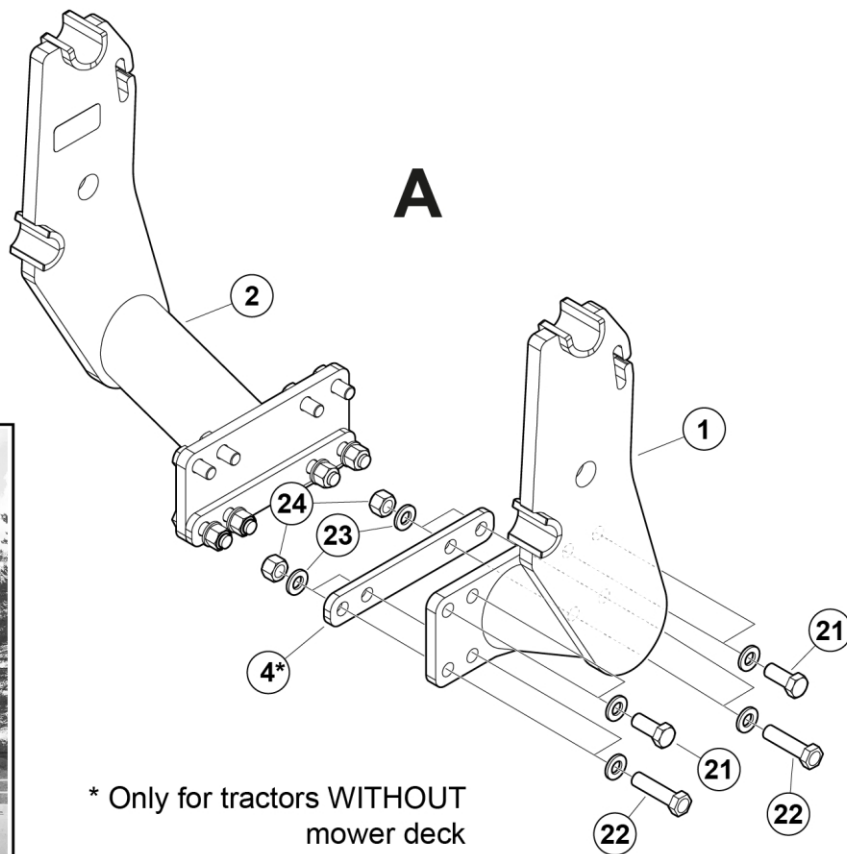


Pos	Part no	Name	Specification	Remark	Qty
	18098A	Hydraulic kit			1
2	60052492	Control valve			1
3	60054645	Relief valve cpl.	200 bar, Pre-installed		1
4	59030499	Cable attachment kit			1
5	5028078	Adaptor	3/4" ORB -3/4" JIC		3
6	5027421	Adaptor	3/4" JIC 90°		1
7	5028151	Adaptor	3/4" ORB - 3/8 BSP		4
8	5028184	Adaptor	3/8" BSP 45°		2
9	1120081	Adaptor	3/8" BSP		4
10	1120099	Adaptor	3/8" BSP 90°		4
11	5028171	Bonded seal	3/8"		4
12	5044981	Quick Coupling	ISO-A Plug 3/8"		4
13	5034427	Cable tie	"1"		1
14	5034428	Cable tie	"2"		1
15	5034429	Cable tie	"3"		1
16	5034430	Cable tie	"4"		1
18	60087217	Valve bracket			1
19	5002105	Screw	M6S M12x45		2
20	5013104	Washer	13.5 x 24 x 2		4
21	5011555	Nut	M12 Loc		2
22	5006017	Screw	M6SF M8x30		3
23	5034193	Dust Cover	ISO 3/8"		4
24	5027615	Adaptor	90° M18x1.5		1
25	5052567	Hose	3/8" L=1300 3/4 90LM - 18MLRU		1
26	5052568	Hose	3/8" L=1000 3/4 90LM - 18MLRLM		1
27	5052569	Hose	3/8" L=1300 3/4 90LM - 18MLRLM		1
28	5051079	Hose cover	Ø27 x 700		3
30	59030210	Control lever	Straight lever		1
31	59030314	Control cable	L=1400mm (Type F)		2
32	59030140	Handle	3rd		1
33	59033050	Decal			1
34	60032340	Cap			4
35	60073504	Bracket			1
36	5002064	Screw	M6S 8x80		2
37	5013101	Washer	BRB 8,4 x 16		4
38	5011553	Nut	M6M M8 Loc-king		3
39	5002027	Screw	M6S_ M6 x 25 (8.8)		4
40	5013111	Washer	BRB 6,4 x 14		4
41	5011552	Locking nut	M6		4
42	5221441	Hose guide			1
43	5004055	Screw	MC6S 8x70		1
44	11902159	Cable tie	4,5 x 200		6
45	5033606	Cable tie	7,5 x 385		4
46	60009558	Decal			1
47	60068682	Wiring harness			1
48	60090970	Wiring harness			1
49	60090980	Wiring harness			1

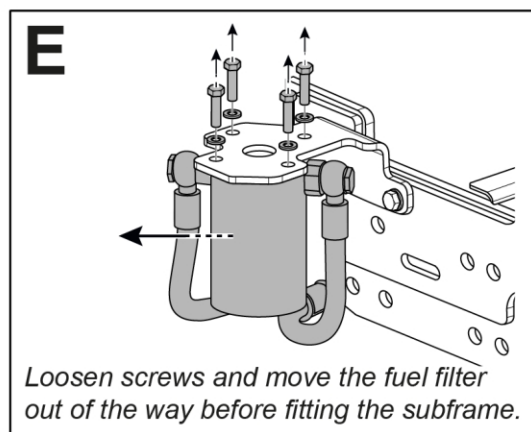
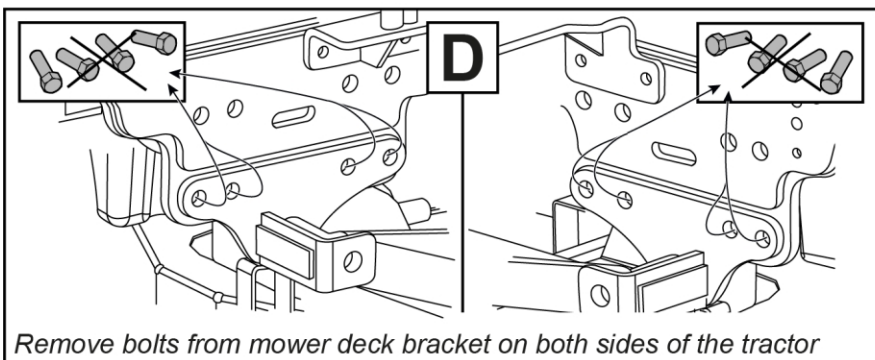
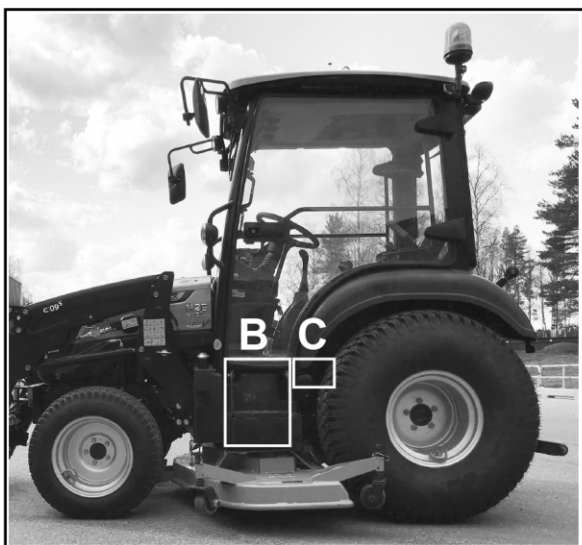
Subframe set

14121467

M 14121467

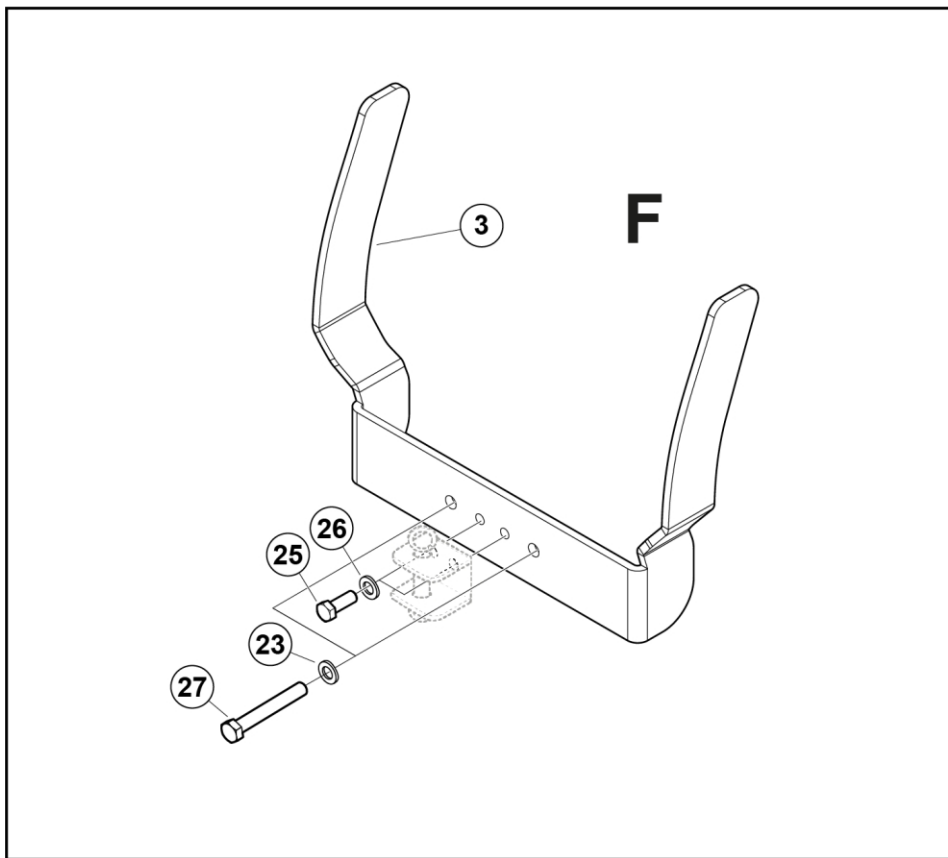


\* Only for tractors WITHOUT mower deck



Subframe set

14121467



M 14121467-2

Pos	Part no	Name	Specification	Remark	Qty
	14121467	Subframe set			1
1	60086543-1	Subframe LH			1
2	60086544-1	Subframe RH			1
3	60091700	Grille guard			1
4	60053721-1	Spacer			2
21	5002152	Screw	M6S M16 x 40		8
22	5002156	Screw	M6S M16x 65 (8.8)		8
23	5013105	Washer	BRB 17 x 30 x 3		26
24	5011557	Nut	Loc-King M16		8
25	5002128	Screw	M6S M14 x 40 (8.8)		2
26	5013107	Washer	15 x 26 x 2		2
27	5002967	Screw	M6S_M16 x 170 (8.8)		2



The logo for Summit Tractors is centered on the page. It features the word "SUMMIT" in a large, bold, dark green sans-serif font. A thin, dark green curved line arches over the top of the letters "M" and "I". Below "SUMMIT" is the word "TRACTORS" in a smaller, bold, dark green sans-serif font. Two short horizontal lines are positioned on either side of "TRACTORS", one to the left and one to the right.

**SUMMIT**<sup>™</sup>  
—TRACTORS—